

**Service Box SS60 EC**

SS60 EC floor box consists of stainless steel mounting lid and galvanized steel base tray, with 2 compartments, for finish floor height 60 mm (SS60).

**The systems**

Sockets: 4 sockets for 4 plugs. 16A, 250 V

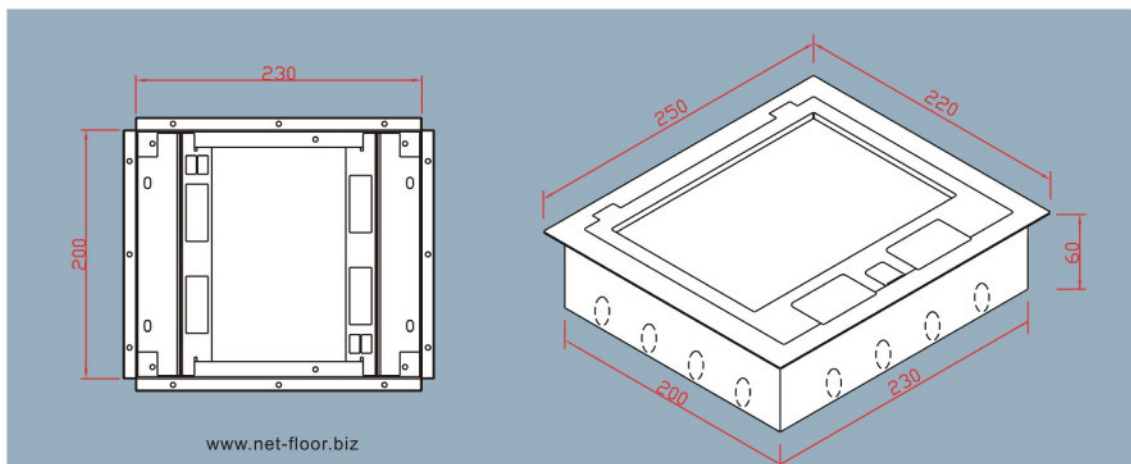
overall dimension: 252 mm X 220 mm

Height: 60 mm (access floor minimum finish height)

Mounting lid: stainless steel tray, middle with recess 6.5 mm for topping by carpet tile.

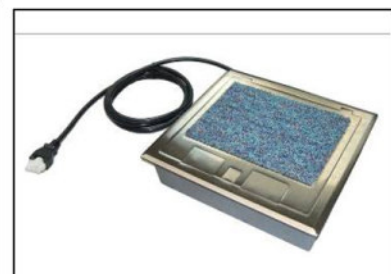
Box base: size 230 mm X 200 mm

Box base and compartments for sockets and data jack: made of galvanized steel by powder coating.

**SS60 EC dimensions details**

\*\* access panel cut out: 232 mm X 202 mm

\*\* carpet tile cut size for topping floor box: 186 mm X 129 mm

**Plug type**

French



German