

## Service Box **SS60**

SS60 floor box consists of stainless steel mounting lid and galvanized steel base tray, with 3 compartments, for finish floor height 60 mm (SS60).

### The systems

Sockets: 2 twin sockets for 4 plugs. 13A, 240 V

1 component for data/voice jack

overall dimension: 252 mm X 220 mm

Height:

SS60: 60 mm (access floor minimum finish height)

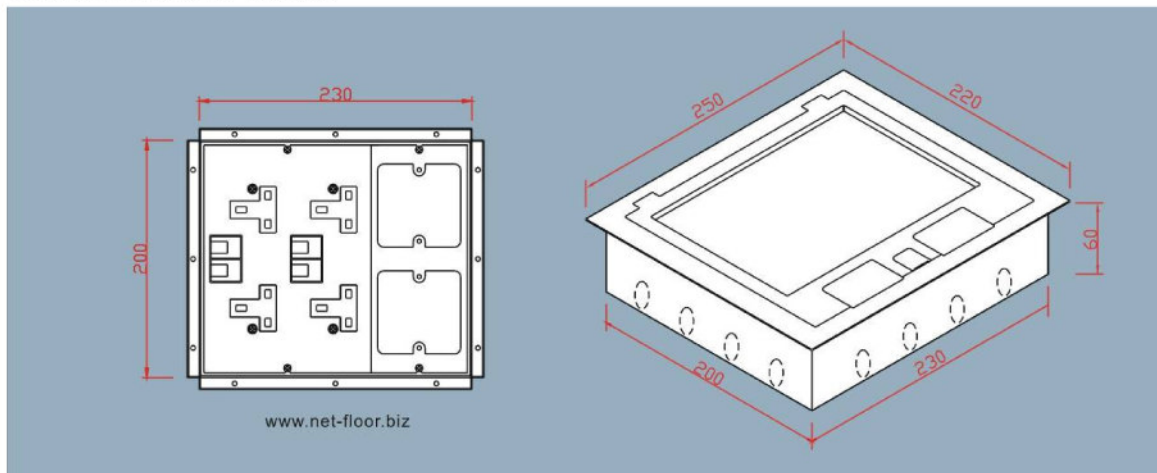
Mounting lid: stainless steel tray, middle with recess 6.5 mm for topping by carpet tile.

Box base: size 230 mm X 200 mm

Box base and compartments for sockets and data jack:  
made of galvanized steel by powder coating.



### SS60 dimensions details



\*\* access panel cut out: 232 mm X 202 mm

\*\* carpe tile cut size for topping floor box: 186 mm X 129 mm

