

Service Box **SB100**

SB100 floor box consists of stainless steel mounting lid and galvanized steel base, with 2 compartments, for finish floor height 100 mm (SB100).



The systems

Sockets: 4 twin sockets for 4 plugs or data/voice jack.

overall dimension: 252 mm X 220 mm

Height:

SB100: 100 mm (access floor minimum finish height)

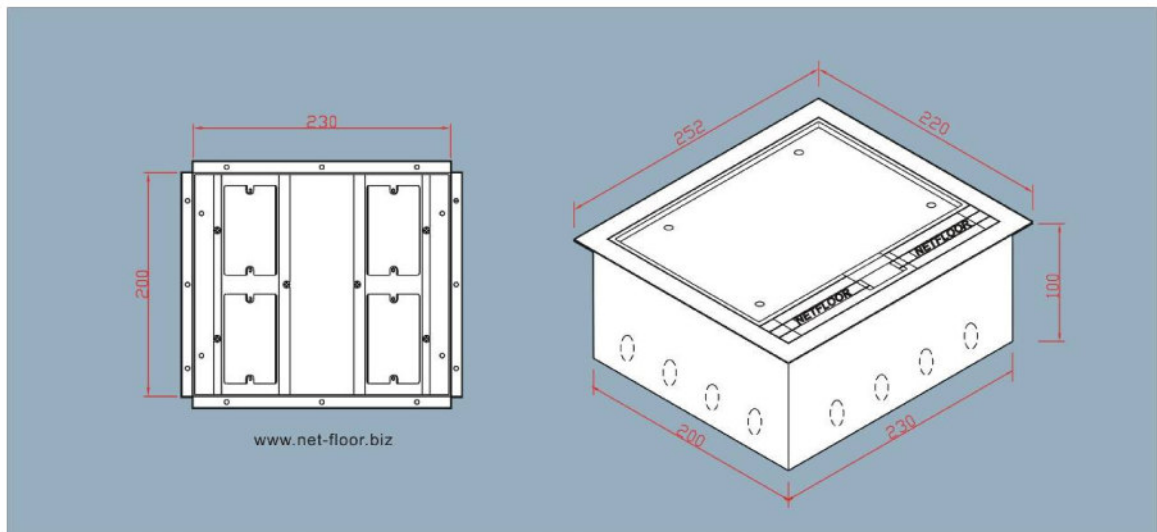
Mounting lid: stainless steel tray, middle with recess 6.5 mm for topping by carpet tile.

Box base: size 230 mm X 200 mm

Box base and compartments for sockets and data jack: made of galvanized steel by powder coating.



SB100 dimensions details



** access panel cut out: 232 mm X 202 mm

** carpe tile cut size for topping floor box: 186 mm X 129 mm

